

NBC-MSD/ 5,0-93E/R4QC SCO - Network cable



1407374

<https://www.phoenixcontact.com/us/products/1407374>

Please be informed that the data shown in this PDF document is generated from our online catalog. Please find the complete data in the user documentation. Our general terms of use for downloads are valid.



Network cable, Ethernet CAT5 (100 Mbps), 4-position, shielded, Plug straight M12 SPEEDCON, coding: D / IP67, on Plug straight RJ45 Push Pull / IP67, cable length: 5 m

Commercial data

| | |
|--------------------------------------|---------------------|
| Item number | 1407374 |
| Packing unit | 1 pc |
| Minimum order quantity | 1 pc |
| Sales key | BF04 |
| Product key | BF1CJI |
| Catalog page | Page 399 (C-2-2019) |
| GTIN | 4046356775021 |
| Weight per piece (including packing) | 268.4 g |
| Weight per piece (excluding packing) | 250.35 g |
| Customs tariff number | 85444210 |
| Country of origin | PL |

Technical data

Notes

| | |
|---------|---|
| General | Further products with variable cable type and variable cable length can be found in the accessories section |
|---------|---|

Product properties

| | |
|---------------------|-------------------------|
| Product type | Data cable preassembled |
| Sensor type | Ethernet |
| Number of positions | 4 |
| Application | Standard |
| Shielded | yes |
| Coding | D |

Interfaces

| | |
|----------------------|-------------------------------------|
| Bus system | Ethernet |
| Signal type/category | Ethernet CAT5 (IEC 11801), 100 Mbps |

Signaling

| | |
|------------------------|----|
| Status display | No |
| Status display present | No |

Electrical properties

| | |
|---|-----------------------|
| Nominal voltage U_N | 48 V AC |
| | 60 V DC |
| Nominal current I_N | 1 A |
| Transmission medium | Copper |
| Transmission characteristics (category) | CAT5 (IEC 11801:2002) |

Connector

Connection 1

| | |
|-----------------------------|--|
| Type | Plug straight M12 SPEEDCON / IP67 |
| Number of positions | 4 |
| Locking type | SPEEDCON |
| Coding type | D (Data) |
| Handle color | black |
| Material | CuZn (Contact) |
| | Ni/Au (Contact surface) |
| | PA (Contact carriers) |
| | TPU, hardly inflammable, self-extinguishing (Grip) |
| | Zinc die-cast, nickel-plated (Screw connection) |
| Insertion/withdrawal cycles | ≥ 100 |
| Contact resistance | ≤ 5 mΩ |
| Insulation resistance | ≥ 100 MΩ |

NBC-MSD/ 5,0-93E/R4QC SCO - Network cable



1407374

<https://www.phoenixcontact.com/us/products/1407374>

| | |
|---------------------------------|------------------|
| Tightening torque | 0.4 Nm |
| Degree of protection | IP67 |
| Ambient temperature (operation) | -25 °C ... 85 °C |


Connection 2

| | |
|---------------------------------|---|
| Type | Plug straight RJ45 Push Pull / IP67 |
| Number of positions | 4 (8) |
| Locking type | Push Pull |
| Handle color | black |
| Material | CuSn (Contact) Ni/Au (Contact surface) PC (Contact carriers) PA GF (Housing) |
| Insertion/withdrawal cycles | ≥ 750 |
| Degree of protection | IP67 |
| Ambient temperature (operation) | -25 °C ... 60 °C |

Cable/line

| | |
|--------------|-----|
| Cable length | 5 m |
|--------------|-----|

Ethernet flexible CAT5, 2-pair [93E]

| | |
|---------------------------------|--|
| Dimensional drawing |  |
| Cable weight | 42 kg/km |
| UL AWM Style | 20963 (80°C/30 V) |
| Wiring standards/regulations | Electrical requirements EN 50288-2-2 |
| Number of positions | 4 |
| Shielded | yes |
| Cable type | Ethernet flexible CAT5, 2-pair [93E] |
| Conductor structure | 2x2xAWG26/7, SF/UTP |
| Signal runtime | 5.3 ns/m |
| Conductor structure signal line | 7x 0.16 mm |
| AWG signal line | 26 |
| Conductor cross section | 2x 2x 0.14 mm ² |
| Wire diameter incl. insulation | 0.98 mm |
| External cable diameter | 6.4 mm ±0.2 mm |
| Outer sheath, material | PUR |
| External sheath, color | water blue RAL 5021 |
| Conductor material | Bare Cu litz wires |

NBC-MSD/ 5,0-93E/R4QC SCO - Network cable



1407374

<https://www.phoenixcontact.com/us/products/1407374>

| | |
|--|---|
| Material wire insulation | Foamed PE |
| Single wire, color | white/orange-orange, white/green-green |
| Thickness, outer sheath | 1.2 mm |
| Twisted pairs | 2 cores to the pair |
| Overall twist | Two pairs with two fillers to the core |
| Optical shield covering | 70 % |
| Insulation resistance | ≥ 500 MΩ*km |
| Coupling resistance | ≤ 100.00 mΩ/m (at 10 MHz) |
| Loop resistance | ≤ 290.00 Ω/km |
| Wave impedance | 100 Ω ±5 Ω (at 100 MHz) |
| Cable capacity | approx. 45 nF/km (at 1 kHz) |
| Nominal voltage, cable | ≤ 100 V (Peak value, not for high-power applications) |
| Test voltage Core/Core | 700 V (50 Hz, 1 min.) |
| Test voltage Core/Shield | 700 V (50 Hz, 1 min.) |
| Current carrying capacity of cable | 2 A (according to DIN VDE 0891-1) |
| Minimum bending radius, fixed installation | 4 x D |
| Minimum bending radius, flexible installation | 8 x D |
| Smallest bending radius, fixed installation | 26 mm |
| Smallest bending radius, movable installation | 52 mm |
| Tensile strength | ≤ 80 N |
| Near end crosstalk attenuation (NEXT) | 65.3 dB (with 1 MHz) |
| | 56.3 dB (at 4 MHz) |
| | 50.3 dB (at 10 MHz) |
| | 47.2 dB (at 16 MHz) |
| | 45.8 dB (at 20 MHz) |
| | 42.9 dB (at 31.25 MHz) |
| | 38.4 dB (at 62.5 MHz) |
| | 35.3 dB (at 100 MHz) |
| Power-summed near end crosstalk attenuation (PSNEXT) | 62.3 dB (with 1 MHz) |
| | 53.3 dB (at 4 MHz) |
| | 47.3 dB (at 10 MHz) |
| | 44.2 dB (at 16 MHz) |
| | 42.8 dB (at 20 MHz) |
| | 39.9 dB (at 31.25 MHz) |
| | 35.4 dB (at 62.5 MHz) |
| | 32.3 dB (at 100 MHz) |
| Return attenuation (RL) | 23 dB (at 4 MHz) |
| | 24.1 dB (at 8 MHz) |
| | 25 dB (at 10 MHz) |
| | 25 dB (at 16 MHz) |
| | 25 dB (at 20 MHz) |
| | 23.6 dB (at 31.25 MHz) |
| | 21.5 dB (at 62.5 MHz) |
| | 20.1 dB (at 100 MHz) |

NBC-MSD/ 5,0-93E/R4QC SCO - Network cable



1407374

<https://www.phoenixcontact.com/us/products/1407374>

| | |
|------------------------------------|---|
| Shield attenuation | 3.2 dB (with 1 MHz) |
| | 6 dB (at 4 MHz) |
| | 9.5 dB (at 10 MHz) |
| | 12.1 dB (at 16 MHz) |
| | 13.6 dB (at 20 MHz) |
| | 17.1 dB (at 31.25 MHz) |
| | 24.8 dB (at 62.5 MHz) |
| | 32 dB (at 100 MHz) |
| Halogen-free | according to IEC 60754-1 |
| Flame resistance | according to IEC 60332-1-2 |
| | in acc. to UL VW1 |
| | in accordance with UN ECE-R 118.03 |
| Resistance to oil | in accordance with EN 60811-2-1 |
| Ambient temperature (operation) | -40 °C ... 80 °C (cable, fixed installation) |
| | -20 °C ... 80 °C (Cable, flexible installation) |
| Ambient temperature (installation) | -20 °C ... 80 °C |

Environmental and real-life conditions

Ambient conditions

| | |
|----------------------|-----------------------|
| Degree of protection | IP65 (M12 connector) |
| | IP67 (M12 connector) |
| | IP67 (RJ45 connector) |

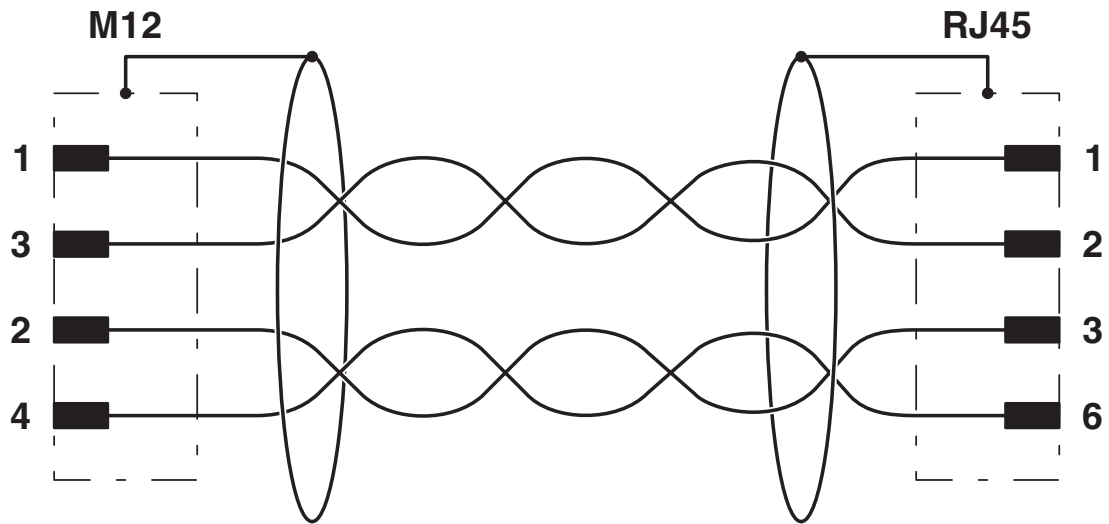
Standards and regulations

M12

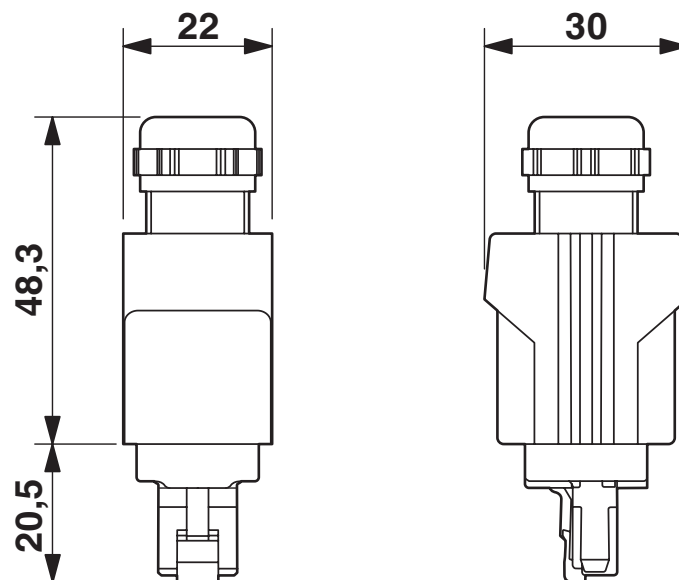
| | |
|--------------------------|-----------------|
| Standard designation | M12 connector |
| Standards/specifications | IEC 61076-2-101 |

Drawings

Circuit diagram



Dimensional drawing



RJ45 Push-Pull connector, IP67

1407374

<https://www.phoenixcontact.com/us/products/1407374>

Schematic diagram



Connector pin assignment plug RJ45

1407374

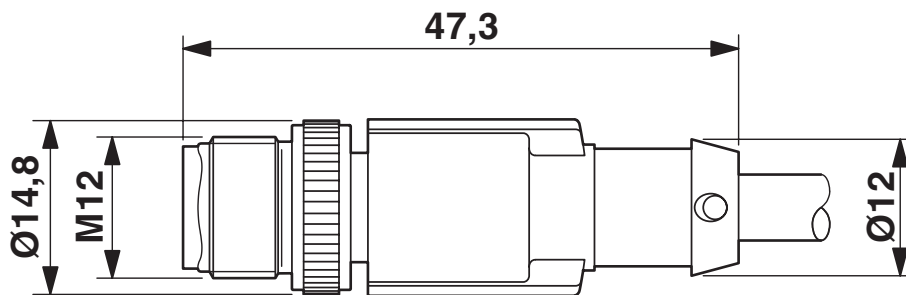
<https://www.phoenixcontact.com/us/products/1407374>

Schematic diagram



Pin assignment M12 male connector, 4-pos., D-coded, male side

Dimensional drawing



Plug, M12 x 1, straight, shielded

NBC-MSD/ 5,0-93E/R4QC SCO - Network cable



1407374

<https://www.phoenixcontact.com/us/products/1407374>

Approvals

To download certificates, visit the product detail page: <https://www.phoenixcontact.com/us/products/1407374>



EAC-RoHS

Approval ID: RU D-DE.HB35.B.00387

NBC-MSD/ 5,0-93E/R4QC SCO - Network cable



1407374

<https://www.phoenixcontact.com/us/products/1407374>

Classifications

ECLASS

| | |
|-------------|----------|
| ECLASS-11.0 | 27060307 |
| ECLASS-12.0 | 27060307 |
| ECLASS-13.0 | 27060307 |

ETIM

| | |
|----------|----------|
| ETIM 9.0 | EC001855 |
|----------|----------|

UNSPSC

| | |
|-------------|----------|
| UNSPSC 21.0 | 26121600 |
|-------------|----------|

NBC-MSD/ 5,0-93E/R4QC SCO - Network cable



1407374

<https://www.phoenixcontact.com/us/products/1407374>

Environmental product compliance

| | |
|------------|---|
| China RoHS | Environmentally friendly use period: unlimited = EFUP-e |
| | No hazardous substances above threshold values |

NBC-MSD/ 5,0-93E/R4QC SCO - Network cable



1407374

<https://www.phoenixcontact.com/us/products/1407374>

Accessories

NBC-MSD-R4RC SCO/.../... - Network cable

1408709

<https://www.phoenixcontact.com/us/products/1408709>



Network cable, Ethernet CAT5 (100 Mbps), 4-position, Variable cable type, shielded, Plug straight M12 SPEEDCON, coding: D / IP67, on Plug straight RJ45 Push Pull / IP67, cable length: Free input (0.2 ... 40.0 m)

NBC-MRD-R4RC SCO/.../... - Network cable

1408702

<https://www.phoenixcontact.com/us/products/1408702>



Network cable, Ethernet CAT5 (100 Mbps), 4-position, Variable cable type, shielded, Plug angled M12 SPEEDCON, coding: D / IP67, on Plug straight RJ45 Push Pull / IP67, cable length: Free input (0.2 ... 40.0 m)

NBC-MSD/ 5,0-93E/R4QC SCO - Network cable

1407374

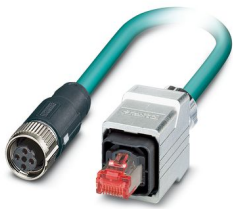
<https://www.phoenixcontact.com/us/products/1407374>



NBC-FSD-R4RC SCO/.../... - Network cable

1408694

<https://www.phoenixcontact.com/us/products/1408694>



Network cable, Ethernet CAT5 (100 Mbps), 4-position, Variable cable type, shielded, Socket straight M12 SPEEDCON, coding: D / IP67, on Plug straight RJ45 Push Pull / IP67, cable length: Free input (0.2 ... 40.0 m)

NBC-FRD-R4RC SCO/.../... - Network cable

1408687

<https://www.phoenixcontact.com/us/products/1408687>



Network cable, Ethernet CAT5 (100 Mbps), 4-position, Variable cable type, shielded, Socket angled M12 SPEEDCON, coding: D / IP67, on Plug straight RJ45 Push Pull / IP67, cable length: Free input (0.2 ... 40.0 m)

NBC-MSD/ 5,0-93E/R4QC SCO - Network cable



1407374

<https://www.phoenixcontact.com/us/products/1407374>

NBC-MSD-R4QC SCO/.../... - Network cable

1408707

<https://www.phoenixcontact.com/us/products/1408707>



Network cable, Ethernet CAT5 (100 Mbps), 4-position, Variable cable type, shielded, Plug straight M12 SPEEDCON, coding: D / IP67, on Plug straight RJ45 Push Pull / IP67, cable length: Free input (0.2 ... 40.0 m)

NBC-MRD-R4QC SCO/.../... - Network cable

1408701

<https://www.phoenixcontact.com/us/products/1408701>



Network cable, Ethernet CAT5 (100 Mbps), 4-position, Variable cable type, shielded, Plug angled M12 SPEEDCON, coding: D / IP67, on Plug straight RJ45 Push Pull / IP67, cable length: Free input (0.2 ... 40.0 m)

NBC-MSD/ 5,0-93E/R4QC SCO - Network cable

1407374

<https://www.phoenixcontact.com/us/products/1407374>



NBC-FSD-R4QC SCO/.../... - Network cable

1408693

<https://www.phoenixcontact.com/us/products/1408693>



Network cable, Ethernet CAT5 (100 Mbps), 4-position, Variable cable type, shielded, Socket straight M12 SPEEDCON, coding: D / IP67, on Plug straight RJ45 Push Pull / IP67, cable length: Free input (0.2 ... 40.0 m)

NBC-FRD-R4QC SCO/.../... - Network cable

1408686

<https://www.phoenixcontact.com/us/products/1408686>



Network cable, Ethernet CAT5 (100 Mbps), 4-position, Variable cable type, shielded, Socket angled M12 SPEEDCON, coding: D / IP67, on Plug straight RJ45 Push Pull / IP67, cable length: Free input (0.2 ... 40.0 m)

NBC-MSD/ 5,0-93E/R4QC SCO - Network cable



1407374

<https://www.phoenixcontact.com/us/products/1407374>

PROT-M12 FS-PA-CHAIN - Sealing cap

1430873

<https://www.phoenixcontact.com/us/products/1430873>

M12 sealing cap made of plastic with fixing band, for sensor cables, for free M12 plugs



SAC-M12-EXCLIP-M - Locking clip

1558988

<https://www.phoenixcontact.com/us/products/1558988>

Locking clip for the pin side of sensor/actuator cables with M12 connector and M12 connectors for assembly, for knurl diameter: 15 mm or for Allen key with a wrench size of 14 mm, prevents the disconnection of plug-in connections without tools



NBC-MSD/ 5,0-93E/R4QC SCO - Network cable



1407374

<https://www.phoenixcontact.com/us/products/1407374>

TSD 04 SAC - Torque screwdriver

1208429

<https://www.phoenixcontact.com/us/products/1208429>



Torque screwdriver, with preset torque of 0.4 Nm and 4 mm hexagonal drive for M12 connectors

TSD-M 1,2NM - Torque screwdriver

1212224

<https://www.phoenixcontact.com/us/products/1212224>



Torque screw driver, accuracy as per EN ISO 6789 standard, adjustable from 0.3 - 1.2 Nm

NBC-MSD/ 5,0-93E/R4QC SCO - Network cable



1407374

<https://www.phoenixcontact.com/us/products/1407374>

TSD-M SAC-BIT ADAPTER - Adapter insert

1212600

<https://www.phoenixcontact.com/us/products/1212600>



Adapter bit for TSD-M...torque tools, E6.3-1/4" drive with 4 mm hexagon to accommodate SAC bits

SAC BIT M12-D15 - Tool

1208432

<https://www.phoenixcontact.com/us/products/1208432>



Nut for assembling sensor/actuator cables with M12 connector and M12 connectors for assembly, with a knurl diameter of 15 mm, for 4 mm hexagonal drive

Phoenix Contact 2024 © - all rights reserved
<https://www.phoenixcontact.com>

Phoenix Contact USA
586 Fulling Mill Road
Middletown, PA 17057, United States
(+717) 944-1300
info@phoenixcon.com